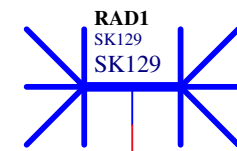
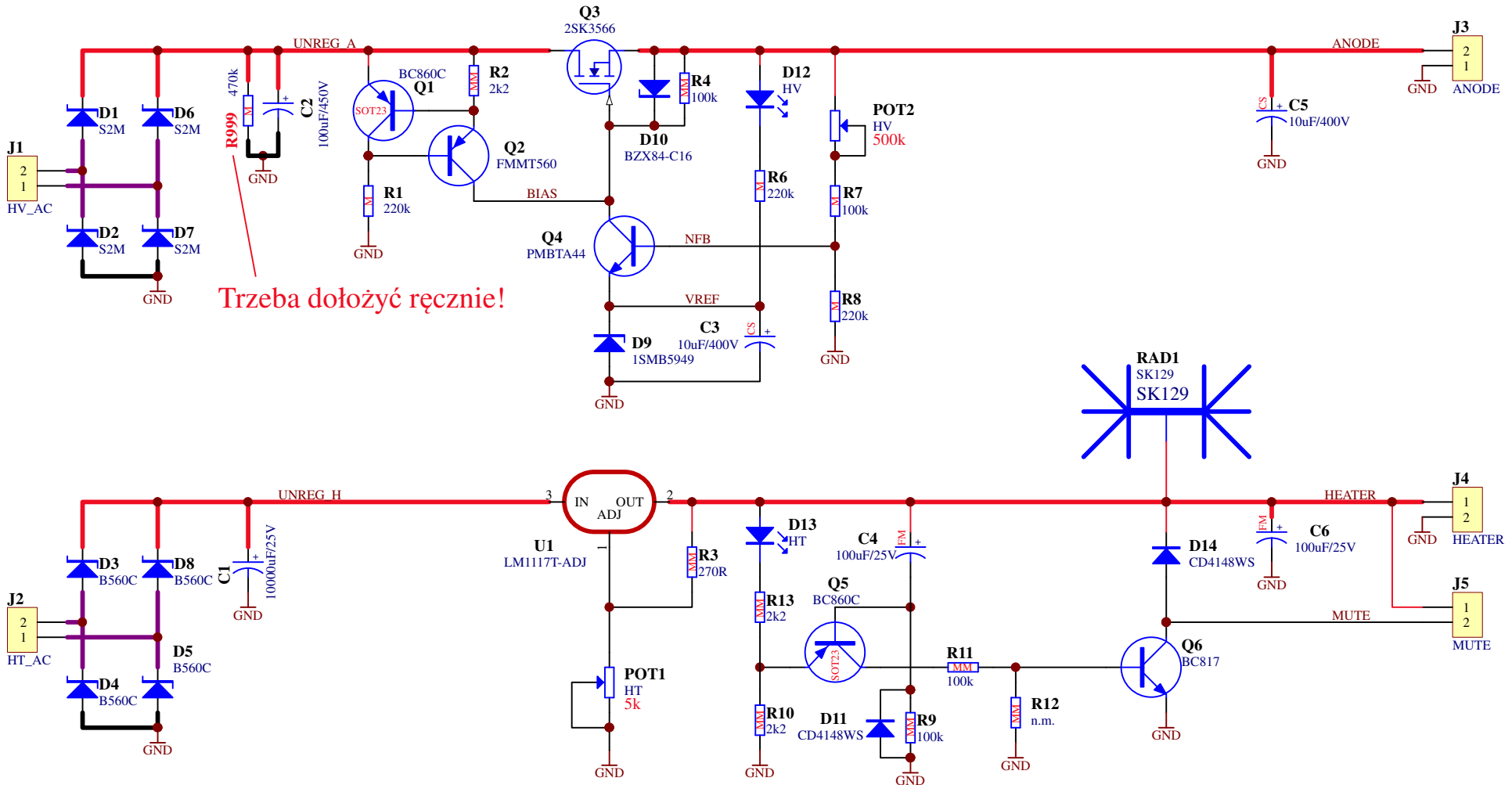


# HV Semi Power Supply Lite V1.0

by Konrad Siemientkowski



DIY use only. Commercial use without permission is prohibited.  
 MuzgAUDIO Konrad Siemientkowski. All right reserved.  
[www.muzgaudio.com](http://www.muzgaudio.com)  
[muzgaudio@muzgaudio.com](mailto:muzgaudio@muzgaudio.com)

Title		
Size	Number	Revision
A4		
Date:	2020-07-27	Sheet of
File:	D:\Projekty_Altium\..HV_Semi_Lite_PS_Schematics	Simple.SchDoc