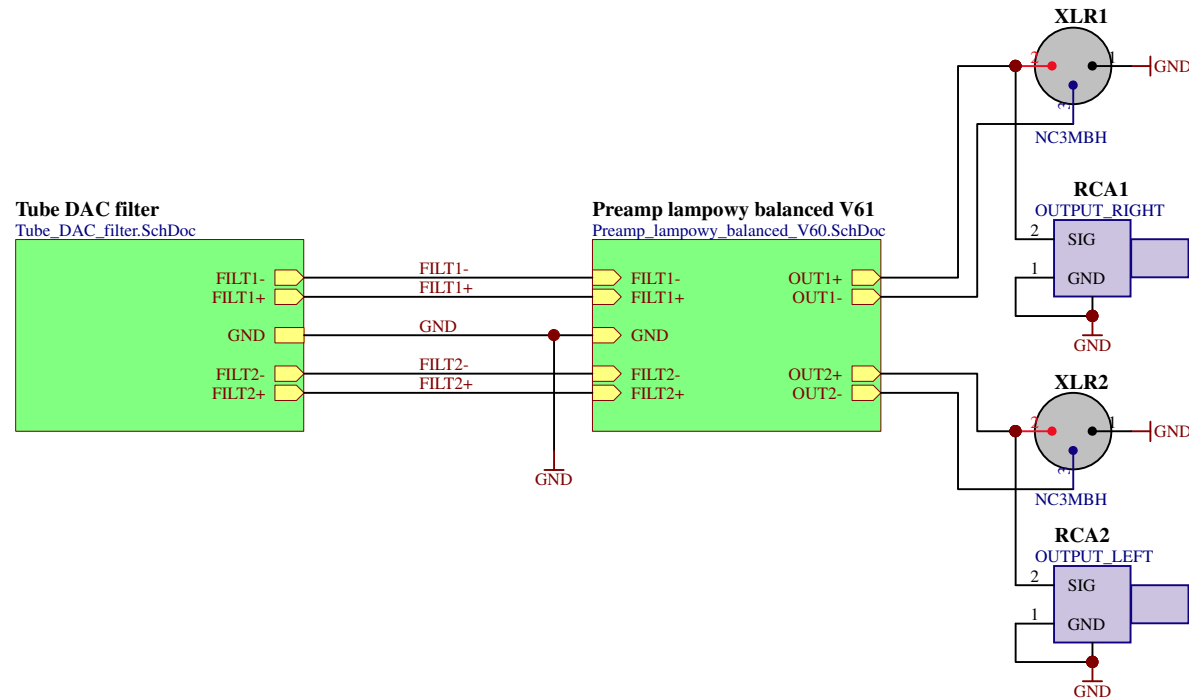


Balanced Tube Preamplifier V6.3 - Main

by Konrad Siemientkowski



DIY use only. Commercial use without permission is prohibited.
 MuzgDIY Konrad Siemientkowski. All right reserved.
muzgdiy.wordpress.com
muzgdiy@gmail.com

| | | |
|---|------------------------|----------|
| Title | | |
| Size A4 | Number | Revision |
| Date: 2019-06-10 | Sheet of | |
| File: D:\Projekty_Altium\Balanced_Preamp | V6.3 by MuzgDIY.SchDoc | |

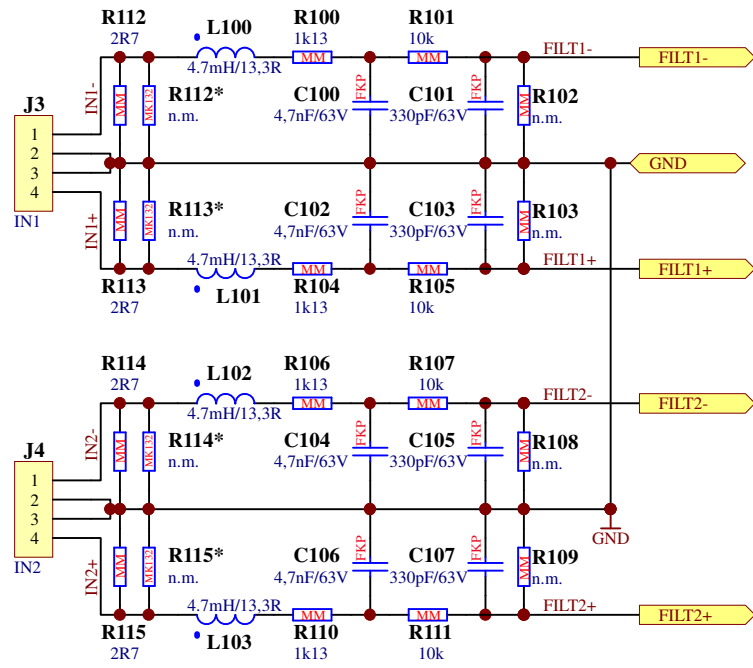
Balanced Tube Preamplifier V6.3 - Filter

by Konrad Siemientkowski

Values in filter circuit valid for ES9038PRO DAC in current mode.

For other DACs see: <https://docs.google.com/spreadsheets/d/1EEtyUL0yzHBsFajiF484S8neK-u8gXl5srcWeKRwOI/edit#gid=0>

To create line preamplifier bypass this circuit.

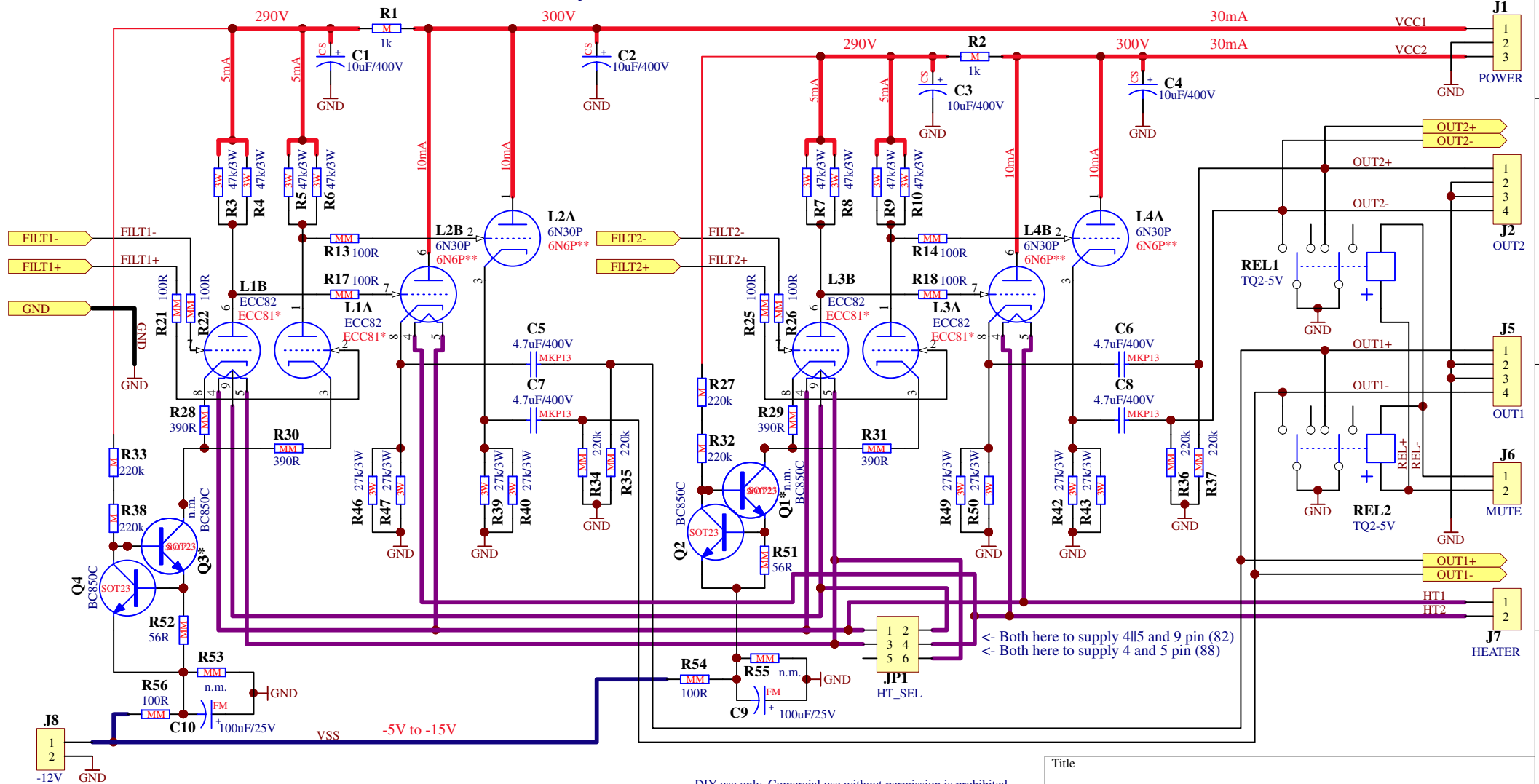


DIY use only. Comercial use without permission is prohibited.
 MuzgDIY Konrad Siemientkowski. All right reserved.
muzgdiy.wordpress.com
muzgdiy@gmail.com

| | | |
|-------|--|----------|
| Title | | |
| Size | Number | Revision |
| A4 | | |
| Date: | 2019-06-10 | Sheet of |
| File: | D:\Projekty_Altium\.\Tube_DAC_filter_SchDown By: | |

Balanced Tube Preamplifier V6.3 - Preamplifier

by Konrad Siemientkowski



*For Current mode DAC use ECC81
 **6N6P could be used with lower performance.

DIY use only. Commercial use without permission is prohibited.
 MuzgDIY Konrad Siemientkowski. All right reserved.
muzgdiy.wordpress.com
muzgdiy@gmail.com

| | | |
|-------|-----------------------------------|---------------------|
| Title | | |
| Size | Number | Revision |
| A4 | | |
| Date: | 2019-06-10 | Sheet of |
| File: | D:\Projekty_Altium\Preamp_lampowy | bilawo.BV.60.SchDoc |